

INSTALLATION SHEET

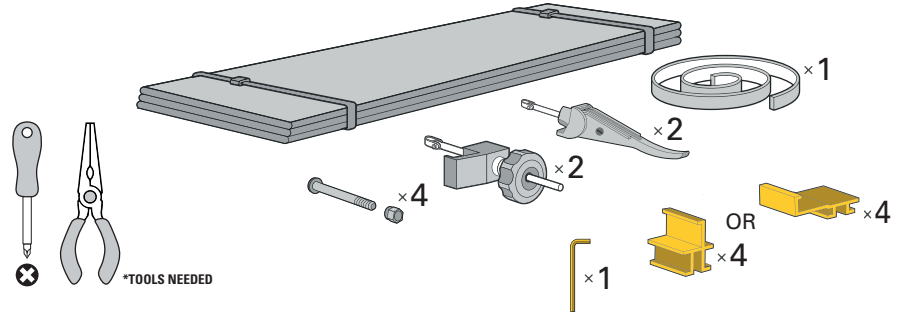
SOFT VINYL, THREE PANEL COVER



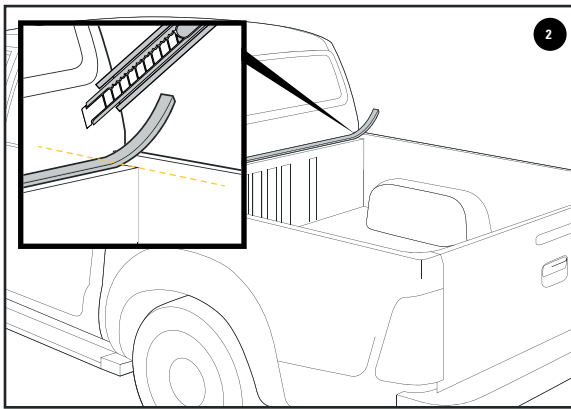
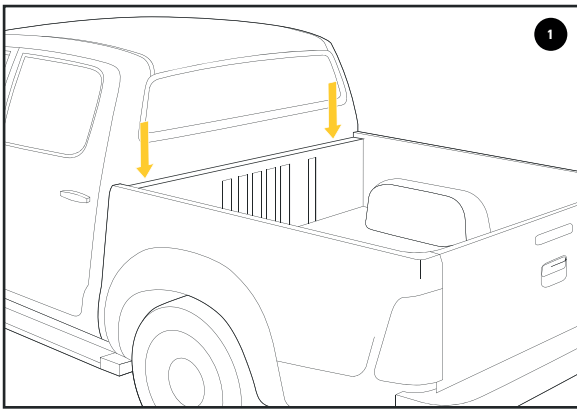
Please go to www.catworktruck.com for support

Ensure all contents are in package and not damaged prior to installation. Report any damage or missing components to customer service:

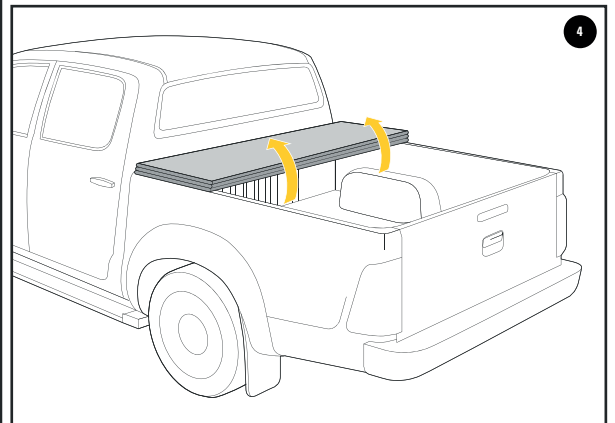
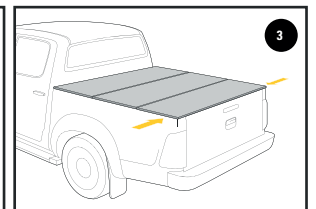
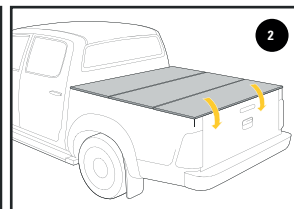
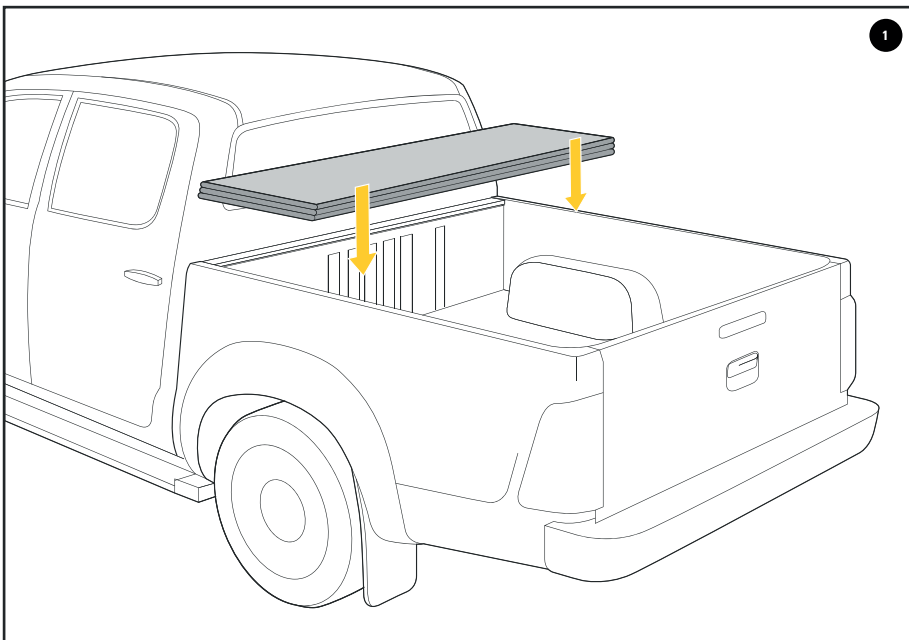
BY PHONE 734-525-9095
BY EMAIL SUPPORT@CATWORKTRUCK.COM



* Items in yellow are for select vehicles only and are not included with every product. Only one type of bracket is included with select products.



1. If the truck's front bed wall is lower than side rails, use supplied foam tape.
2. Clean & dry the area, peel adhesive backer. Install between bed rails. Cut excess.

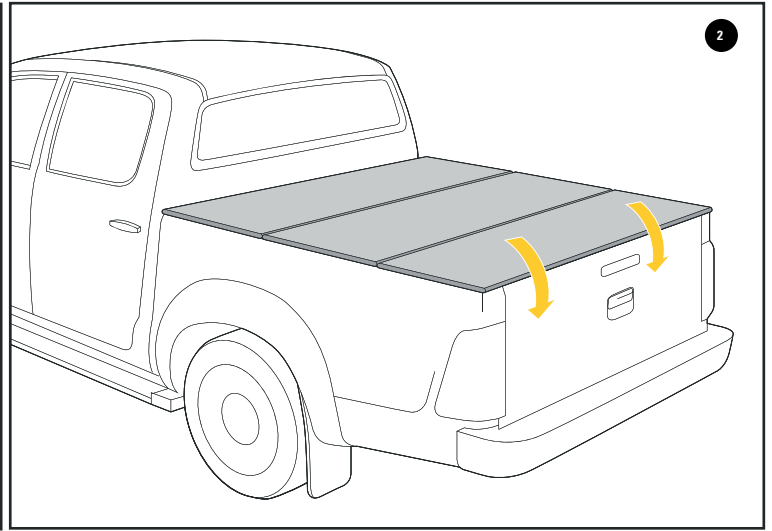
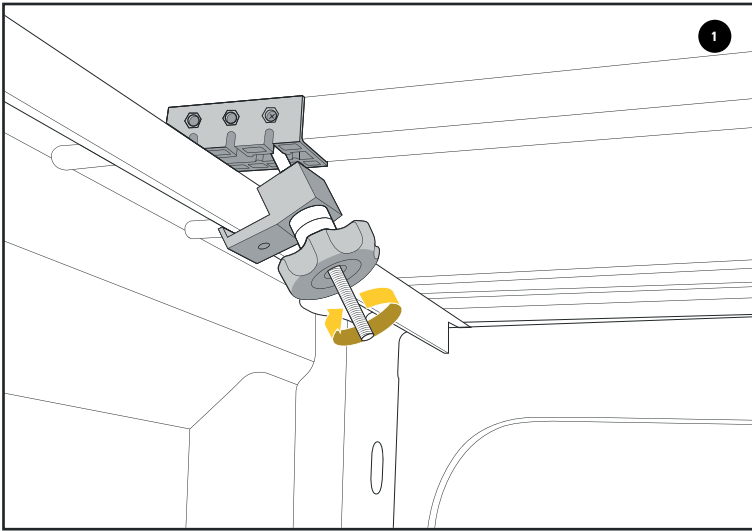


1. Place cover on bed & ensure that it is square & even on all sides.
2. Unfold the cover.
3. Make sure the cover is square & even at the tailgate.
4. Completely fold up cover again.

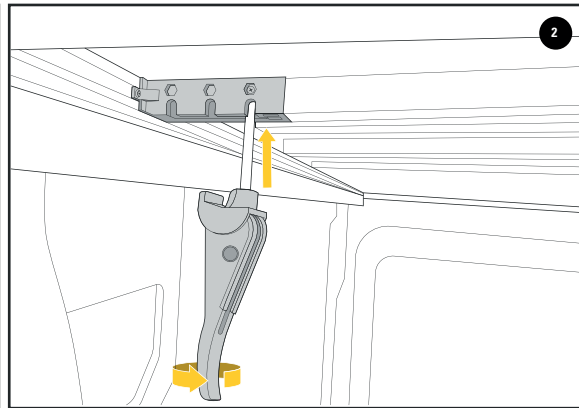
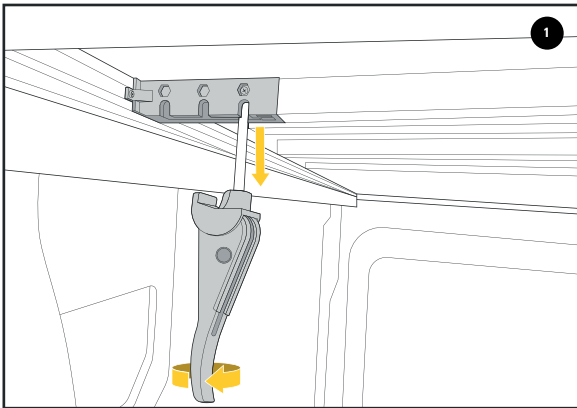


T: 734-525-9095 • support@catworktruck.com

www.catworktruck.com

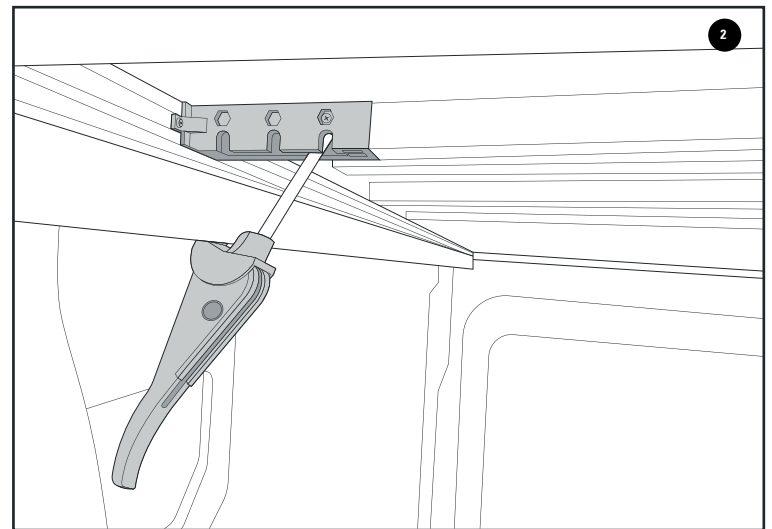
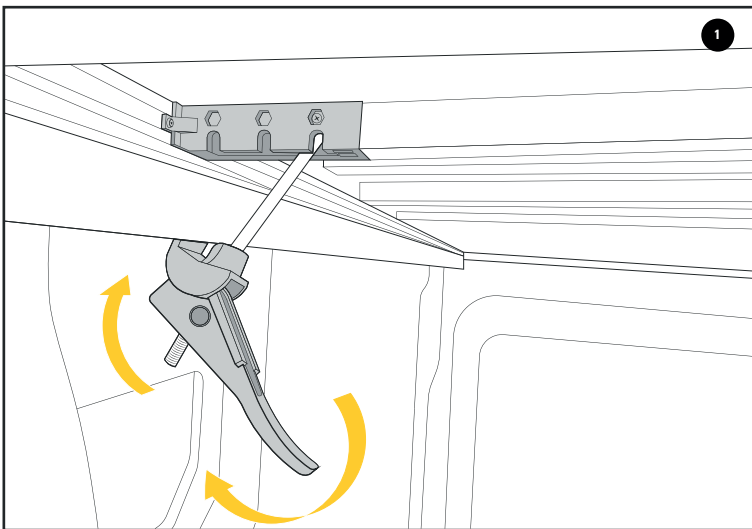


1. Place clamp jaw under bed rail lip and tighten until snug. Repeat on both sides of the tonneau cover. Check tightness frequently. 2. Completely unfold the cover.



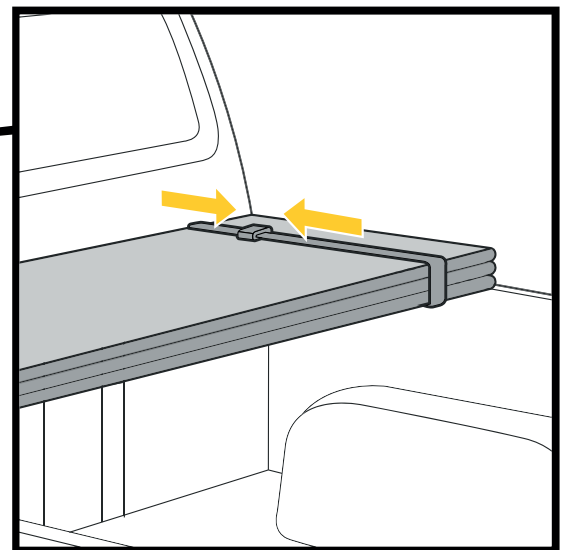
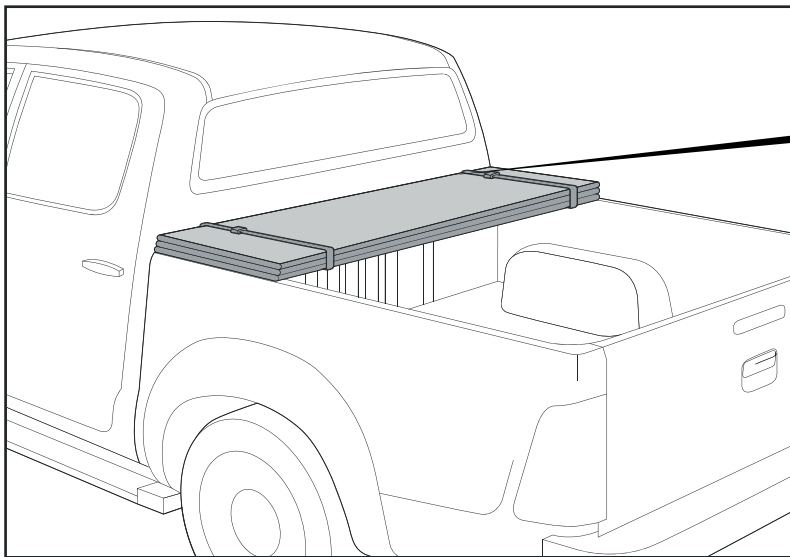
1. Rotate the latch to increase tension.
2. Rotate the latch in the opposite direction to decrease tension.

NOTE: *Clamp should only be snug when engaging, do not over tighten.*



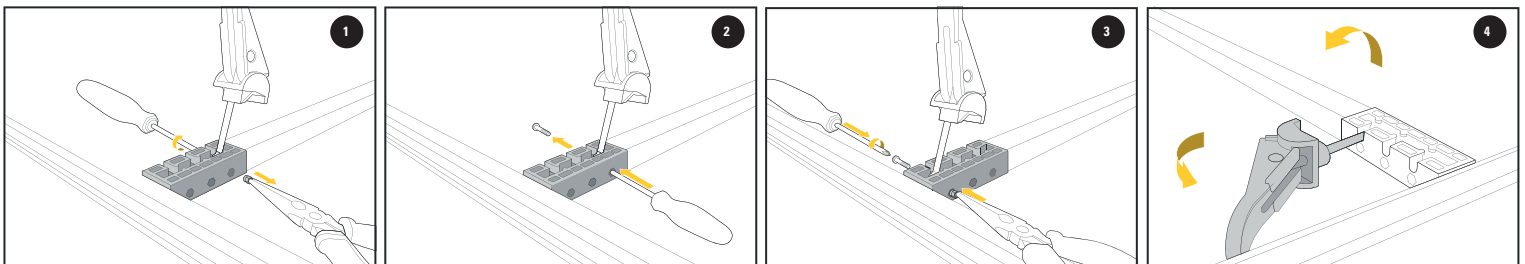
1. Place jaw under bed rail clip. 2. Rotate latch handle downward. Make sure the latch is tight and secured.

SECURE & TIGHTEN BUCKLE



When folded, secure buckle, and tighten safety straps

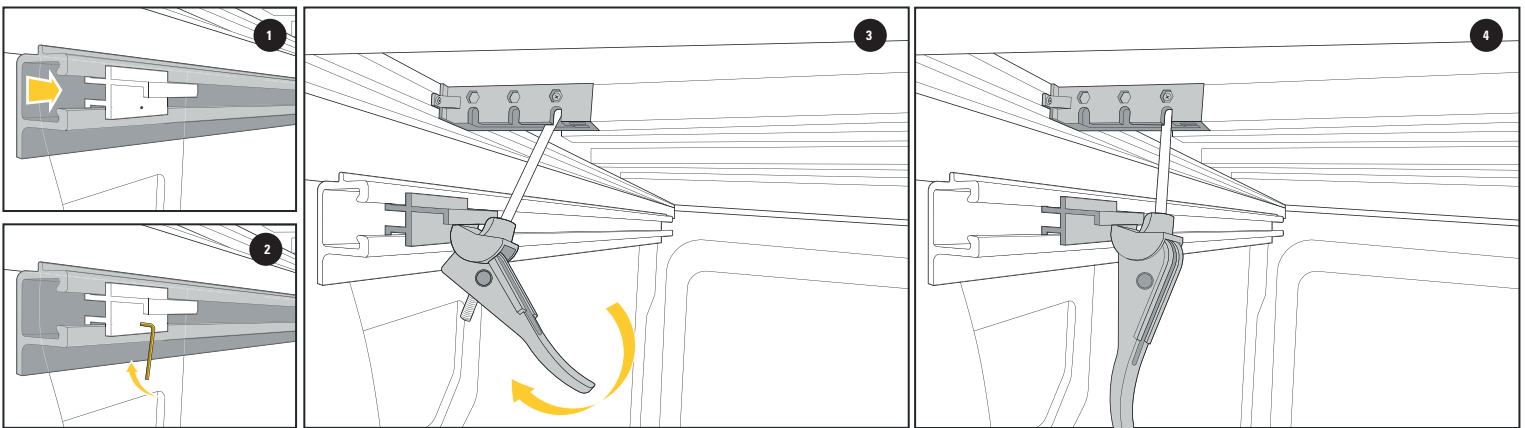
LATCH POSITION CHANGE



1. Remove using a #2 Phillips screw driver and needle nose pliers to pull out nut.
2. Push screw out with the tip of the screw driver.
3. Move latch to new position. Place screw & nut in new positions holes. Make sure the screw is holding latch in place and tighten.
4. Before folding place latch in secured nested position. Failure to do so may result in damage to the tarp.

RAIL MOUNT BRACKET

*Use if your vehicle has a utility track.



1. Insert bracket into utility track
2. Tighten set screw with supplied Allen hex once the bracket is in the correct position.
3. Rotate latch handle downward to engage latch.
4. Make sure the latch is tight and secured.



Contact us for service under the warranty

Phone: 734-525-9095

Email: support@catworktruck.com

Website: www.catworktruck.com

LIMITED LIFETIME WARRANTY DETAILS

ALL PRODUCTS SHOULD BE REGISTERED AT WWW.CATWORKTRUCK.COM WITHIN 30 DAYS OF PRODUCT PURCHASE. FAILURE TO REGISTER YOUR PRODUCT ONLINE RESULTS IN YOU NEEDING TO PROVIDE YOUR ORIGINAL RECEIPT OF PURCHASE IN THE EVENT OF WARRANTY CLAIM.

Your product is warranted to be free from defects in material and workmanship on all aluminum framing, plastics, and hardware for a full five (5) years after date of purchase.

Your product uses the highest quality materials in the industry. Your cover's tarp is warranted to be free from defects in material and workmanship for life (e.g. fading or cracking). This does not include stitching/sewing/seaming.

If you discover a defect in a product covered by this warranty we will, at our option, repair the product using new or refurbished components, or if repair is not possible, replace the item.

Tarp shrinkage, expansion, or broken sewing is not covered under warranty unless deemed defective.

EXCLUSIONS

This warranty covers defects in manufacturing discovered while using the product as recommended. The warranty does not cover improper service or installation, loss or theft, nor does coverage extend to damage caused by misuse, abuse, unauthorized modification, improper storage conditions, acts of God, wind or weather related damage, normal wear and tear or other causes not arising from defective materials or workmanship. The warranty does not cover parts that are subject to normal wear and tear replacement requirements. We do not warranty any tonneau covers that come off while driving, **it is the users responsibility to check clamps before driving to avoid any "Blown off covers"**.

We request a Warranty Claim Form is submitted and based on information provided will determine the legitimacy of the warranty. Upon determination, we may require the product to be returned, only authorized returns with an appropriate RGA# will be accepted as a return. Returned items do not constitute an accepted warranty. Until accepted in writing, to either the vendor or end user, we will not issue credit or replacement of products. Warranty will be issued solely at our discretion.

IMPORTANT NOTICE

Ensure the cover is firmly fastened in either the fully closed or fully open position. Do not over tighten clamps and check clamps regularly.

Do not use cleaning chemicals not approved for cleaning vinyl.

Do not use silicone based cleaner or any vinyl conditioner as this will cause the vinyl to shrink.

Cargo must not be allowed to touch the cover in any position. We do not recommend placing items on top of the cover, as it may damage the cover. Protrusions in the vinyl will cause stress in the fabric and unnecessary weak spots in the material.

LIMITS OF LIABILITY

Should the product fail, your sole recourse shall be repair or replacement, as described in the preceding paragraphs. We will not be held liable to you or any other party for any damages that result from the failure of this product. Damages exclude, but are not limited to, the following: lost profits, lost savings, damage to other equipment, and incidental or consequential damages arising from the use, or inability to use this product. In no event will we be liable for more than the amount of your purchase price, not to exceed the current recommended list price of the product, and excluding tax, installation, shipping and handling charges.

The Warranty applies only to the original retail consumer. Warranty is void if the product has been removed or installed on a different vehicle than the original product was purchased. We disclaim any other warranties or guarantees, express or implied. By installing or using the product, the user accepts all terms and conditions described herein.

REQUIREMENTS

The cost of shipping or related charges to the manufacturer, or authorized repair center as well as payment of any custom clearance fees or duties are the responsibility of the user without the express written consent from us.

Certain documentation (including original purchase receipt with product description and date) and pictures may be required for warranty review of product.



www.cat.com | www.caterpillar.com

© 2020 Caterpillar. All Rights Reserved. CAT, CATERPILLAR, their respective logos, "Caterpillar Yellow," the "Power Edge" trade dress as well as corporate product identity used herein, are trademarks of Caterpillar and may not be used without permission. Motor City Aftermarket, a licensee of Caterpillar Inc.

MOTOR CITY AFTERMARKET, LICENSEE FOR WORK TRUCK PRODUCTS FOR CATERPILLAR INC. WWW.CATWORKTRUCK.COM
33067 INDUSTRIAL RD, LIVONIA, MI 48150